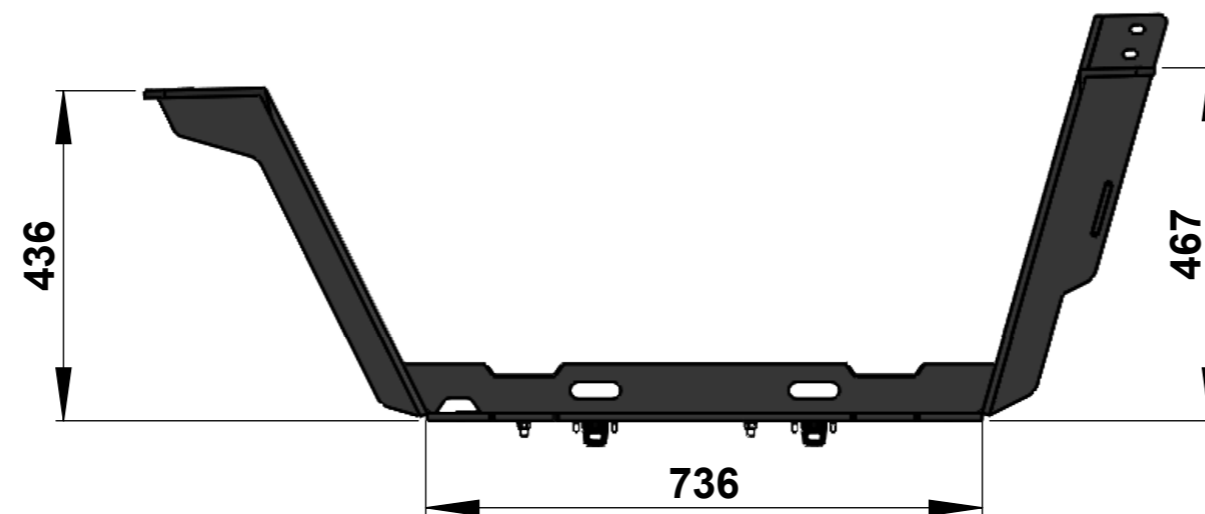
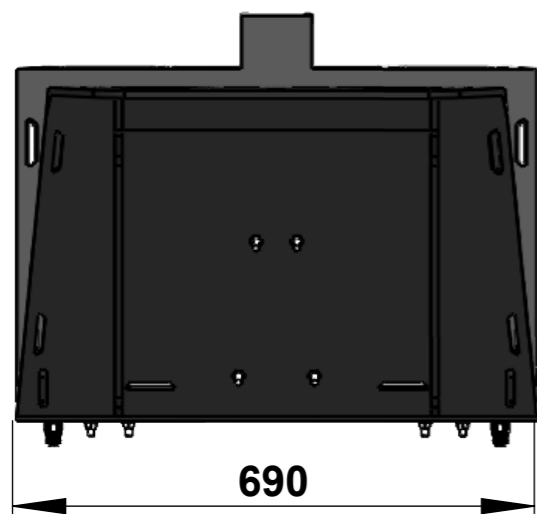
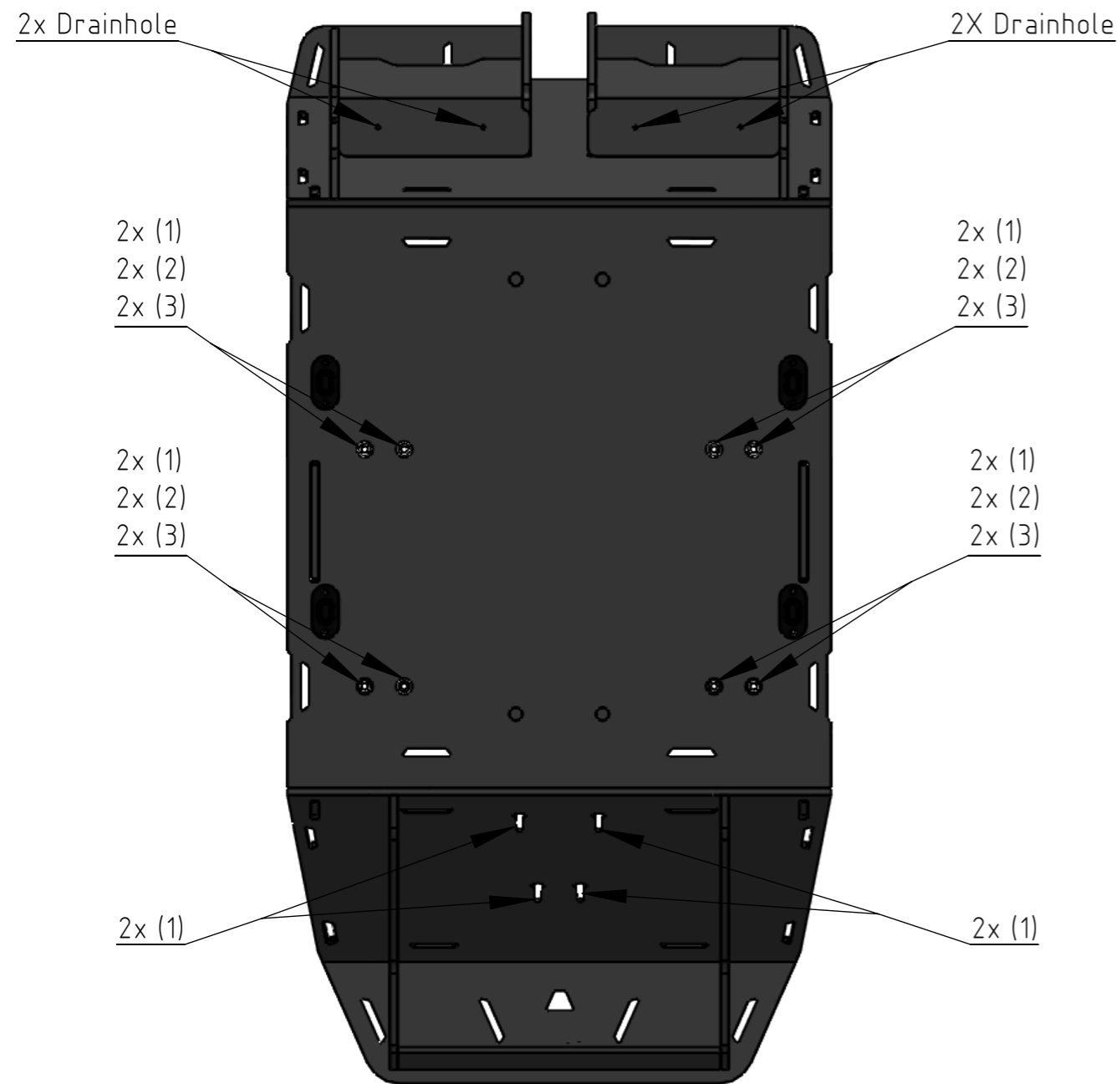


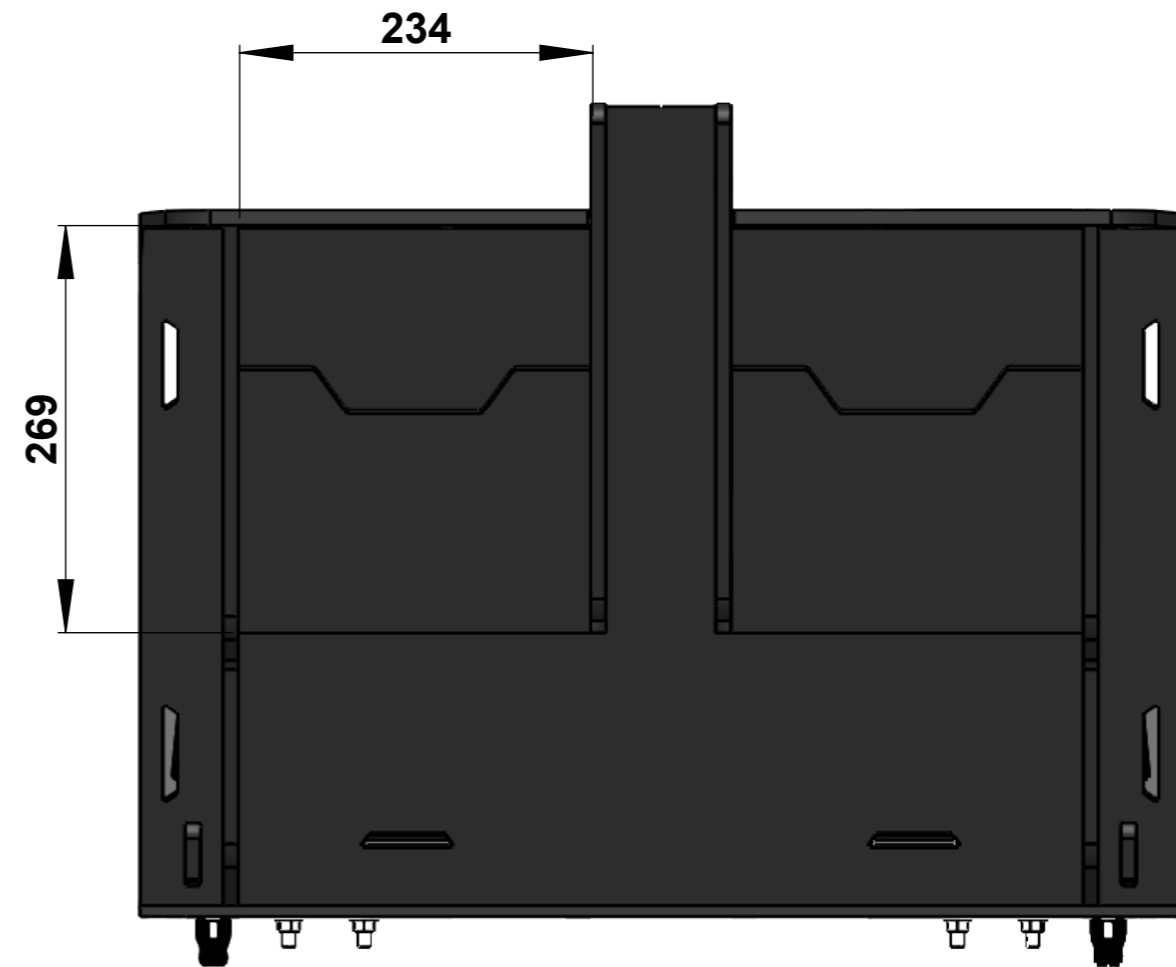
Hole to adjust headset



**Material:** HDPE (High density polyethylen),  
3M safety walk (anti-slip)  
**Volume:** Variable  
**Weight:** 18kg  
**Option:** Accessoire BAG & COVER



BOTTOM VIEW



ACCESSORY BOXES

### Required mounting parts

- (1) 10x M8x30 countersunk head (hexagonal) (7991-2-8x30)
- (2) 8x M8 Nylock (985-4-8)
- (3) 8x M8 washer 20mm diameter (8340-2-8x20)
- (4) 4x Narrow wings (marked with "N" cut out)

