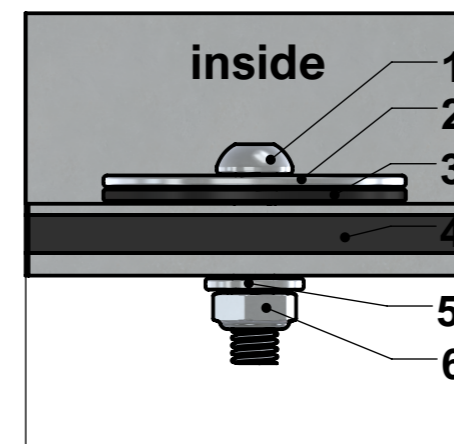
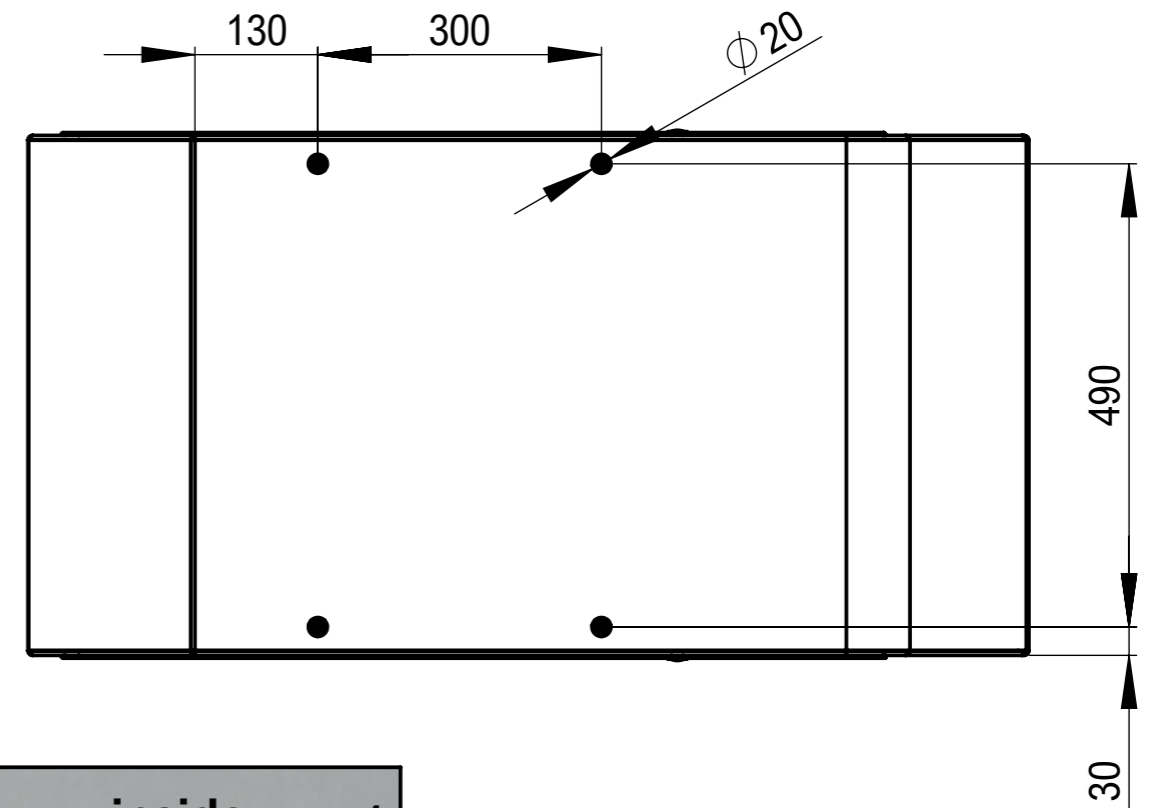
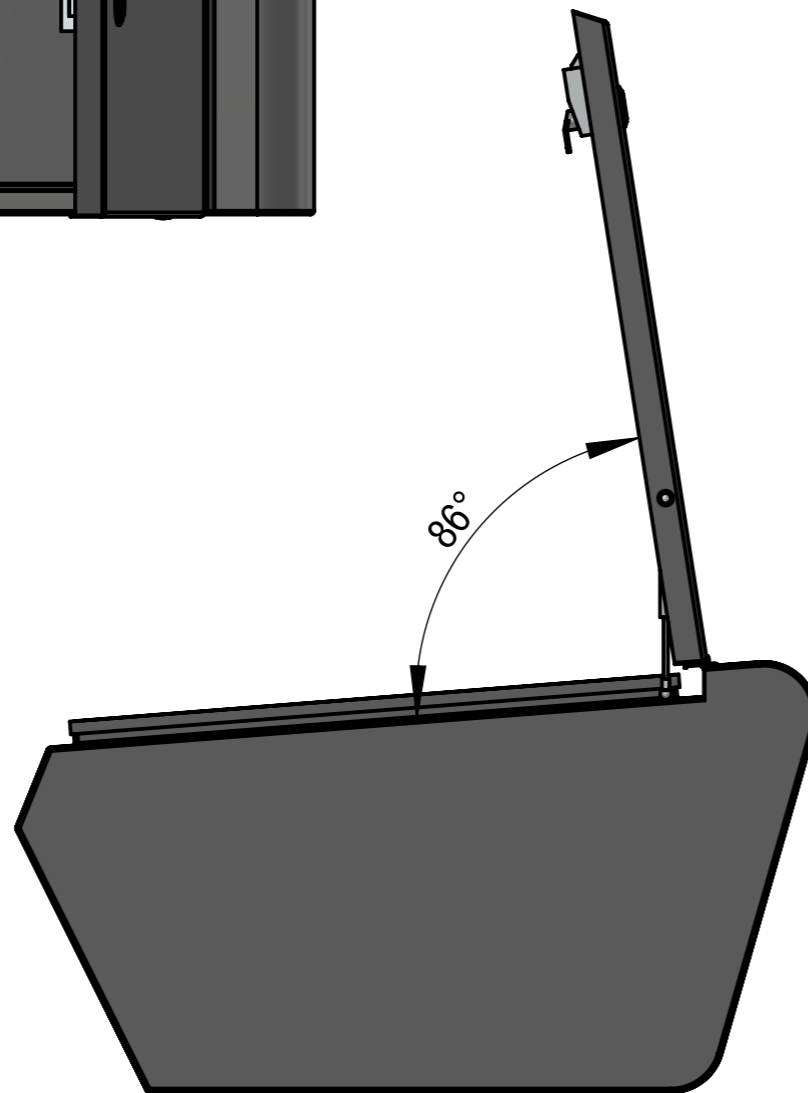
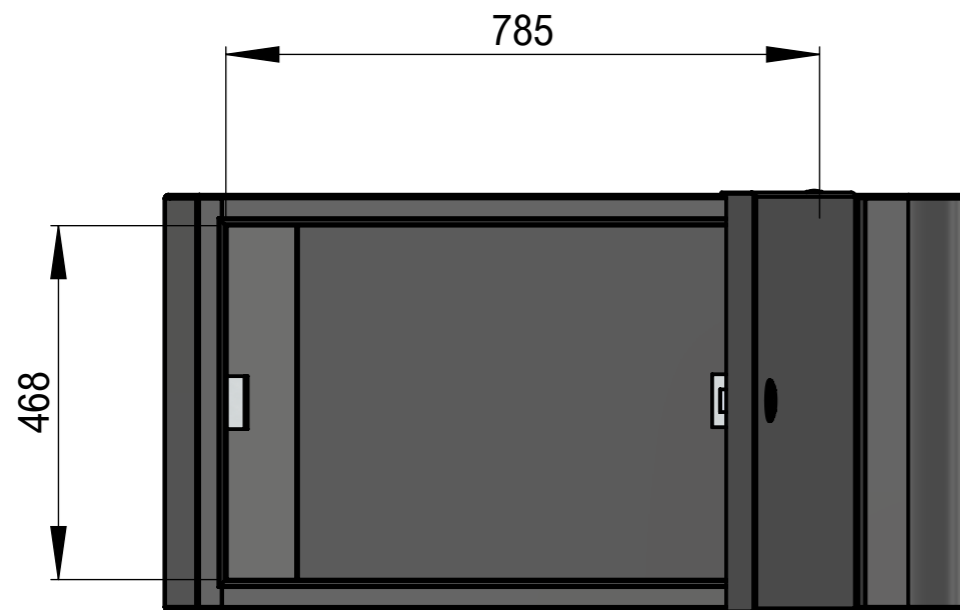


Material: Aluminium
Volume: 260 litres
Weight: 17kg
Option: Yale lock



It is advised to apply the cellrubber between the Alubox and the frame

required mounting parts

- (1) 4x M6 Hex socket button head SST A2 L 25mm, Iso 7380
- (6) 4x M6 Lock nut SST A2, D985
- (2) 4x M6 Washer SST A2, OD 40mm
- (5) 4x M6 Plain Washer SST A2, D125-A
- (3) 4x Washer EPDM ID 6mm x OD 40mm x 1,5mm
- (4) approx. 3m 5x 20mm cellrubber

