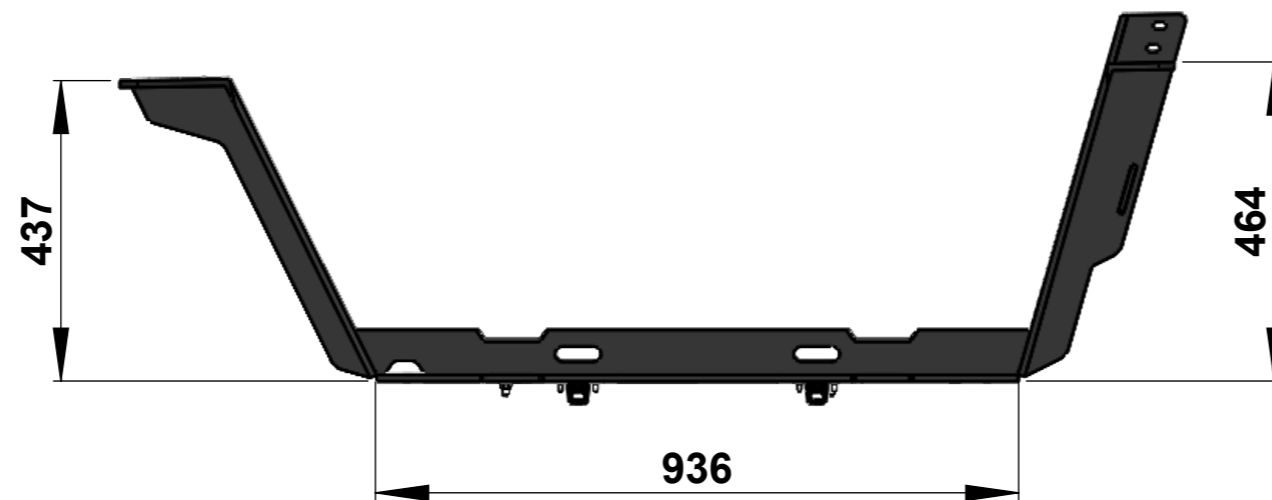
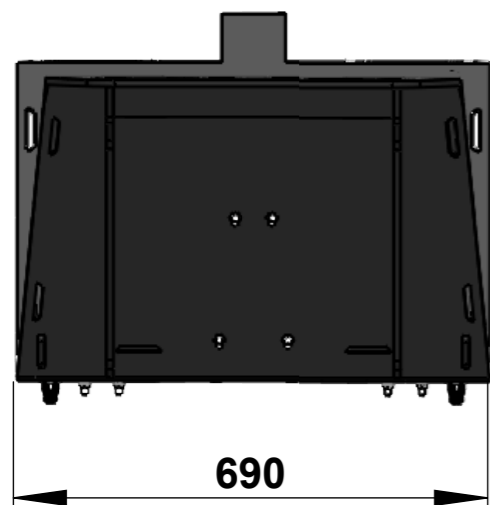
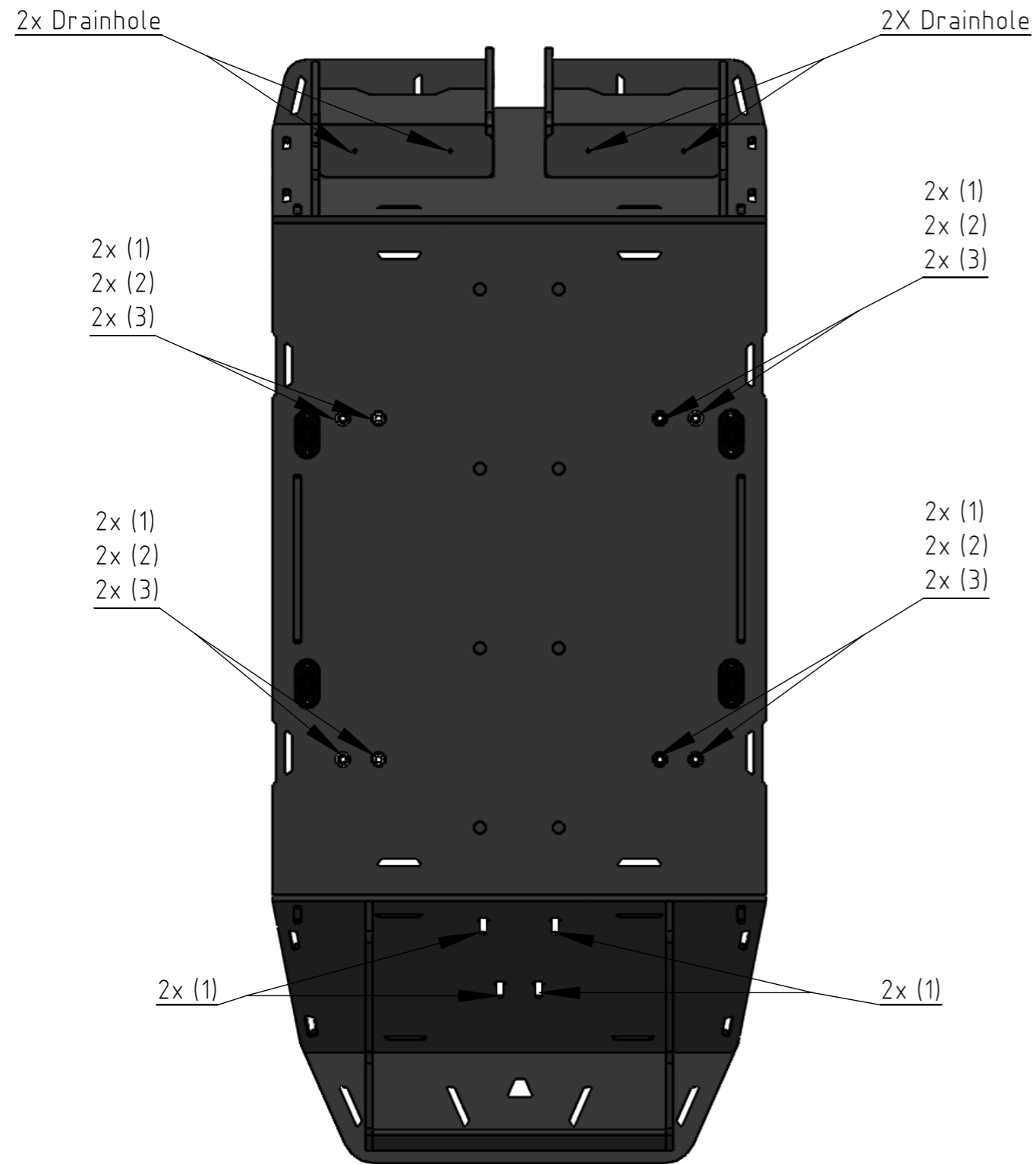


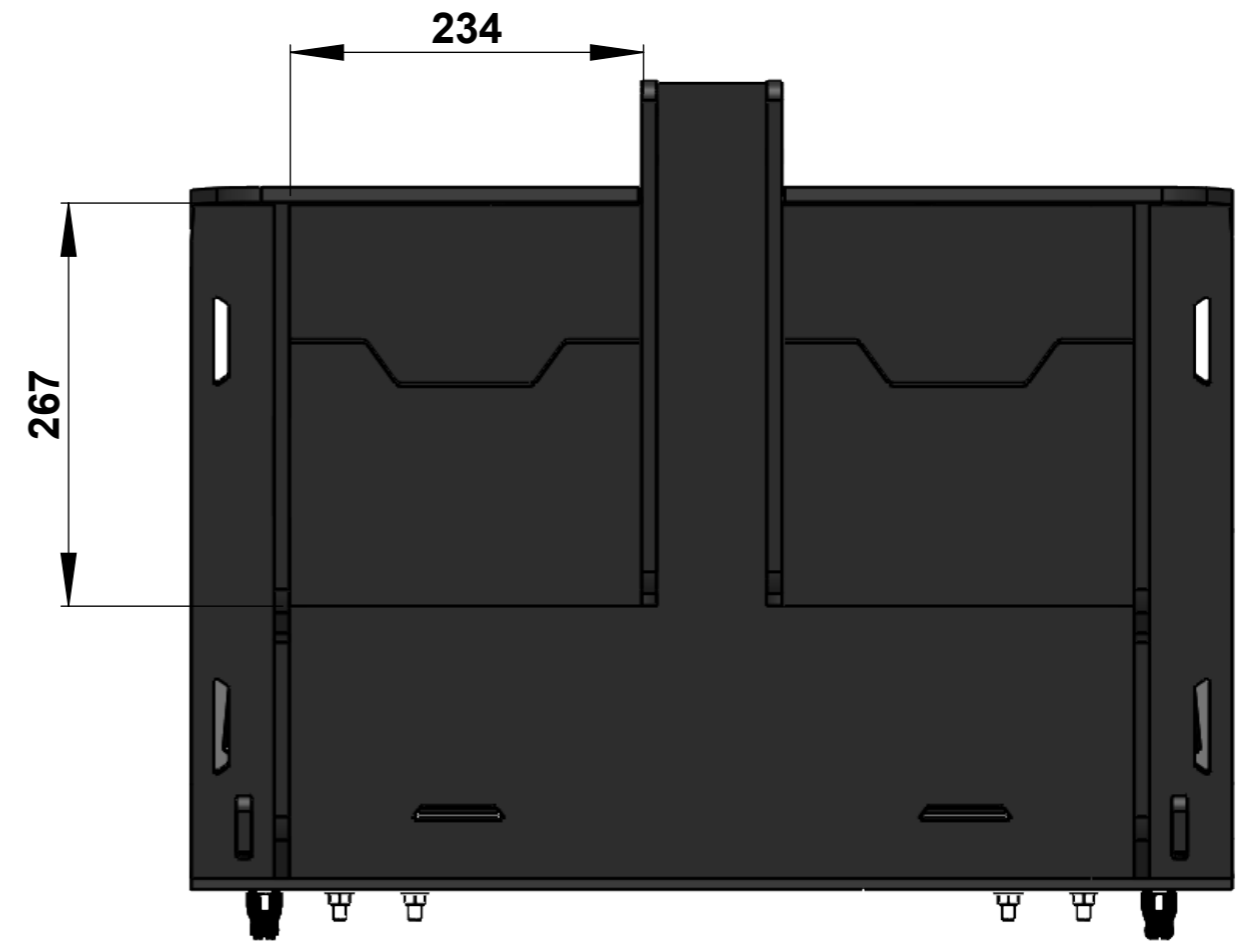
Hole to adjust headset



Material: HDPE (High density polyethylen),
3M safety walk (anti-slip)
Volume: Variable
Weight: 20kg
Option: Accessoire BAG & COVER



BOTTOM VIEW



ACCESSORY BOXES

Required mounting parts

- (1) 10x M8x30 countersunk head (hexagonal) (7991-2-8x30)
- (2) 8x M8 Nylock (985-4-8)
- (3) 8x M8 washer 20mm diameter (8340-2-8x20)
- (4) 4x Narrow wings (marked with "N" cut out)

